

# T-5 Tripod turnstile



**+50**  
**+1**  
temperature range

**12V**  
operating voltage

mechanical unlocking

**2**  
passage direction

**30**  
persons/min

## Application

T-5 tripod turnstile is a normally closed electromechanical turnstile designed for indoor operation. The delivery set includes an RC-panel. Buttons' orientation relative to the passage directions is to be set upon connecting the RC-panel to the turnstile. It is recommended to install one turnstile per 500 people working the same shift based on a maximum working load of 30 persons/min. The turnstile can be equipped with railings.



RC-panel

## Operating modes

The turnstile provides passage control in two directions, turnstile operating mode may be set independently for each passage direction. Supported operating modes:

- passage denial in both directions
- single passage in one direction and passage denial in the other direction
- single passage in both directions
- free passage in one direction and passage denial in the other direction
- free passage in one direction and single passage in the other direction
- free passage in both directions

When the power is turned off, both passage directions remain as before the power loss.

## Main features

- operation of the turnstile from RC-panel, WRC, ACS
- built into the turnstile housing electronic board
- safe voltage – max. 14 V
- and low power consumption – max. 8.5 W
- automatic reset of the barrier arms to the home position after each passage
- damping device provides smooth silent operation
- barrier arm rotation optical sensors record correctly the fact of passage
- integrated mechanical release lock

# T-5 Tripod turnstile

- possibility to connect an intrusion detector and a siren to the turnstile
- two control modes – pulse and potential
- galvanically isolated outputs
- Fire Alarm control input that allows connecting the emergency unlocking device



Pictogram indication



Mechanical unlocking with a key

## Design

Housing – powder-coated steel. Colours – beige, light grey. The turnstile can be equipped with three types of barrier arms:

Item	Description
AS-05	Standard barrier arms (steel, powder coating, black)
AS-04	Standard barrier arms (inox.)
AA-04	Mechanical anti-panic barrier arms (inox.)

## Operating conditions

The turnstile, with regard to resistance to environmental exposure, complies with GOST 15150-69 category NF4 (operation in premises with climate control). The operation of the turnstile is allowed at ambient temperature from +1 °C to +50 °C and relative air humidity up to 80% at + 25 °C (non-condensing).

It is a serially produced product certified for compliance with applicable Russian and European CE standards.

## Delivery set

Turnstile housing	1
Barrier arm (model to be chosen when ordering)	3
RC-panel (cable length of 6.6 m)	1
Key to mechanical release lock	2
Mounting kit	1
Documentation set	1
<b>Optional equipment (upon request)</b>	
WRC (consisting of a receiver and two transmitters in the form of key fobs) with a range of up to 40 m	1
Intrusion detector (installed upon request at the manufacturing site)	1
Siren (alert on an unauthorized passage attempt)	1
PFG IR 10-15 anchor (SORMAT company, Finland)	4
Turnstile power supply	1

## Technical specifications

Operating voltage	12±1.8 V DC	
Current consumption	max. 700 mA	
Power consumption	max. 8.5 W	
Overall dimensions with installed barrier arms (LxWxH)	with AS-05 barrier arms	744x 744x1025 mm
	with AS-04, AA-04 barrier arms	861x833x1025 mm
Passageway width	with AS-05 barrier arms	500 mm
	with AS-04, AA-04 barrier arms	600 mm

# T-5 Tripod turnstile

Turnstile weight	35 kg	
Package dimensions (L×W×H)	114×32×32 cm	
Throughput rate	in the single passage mode	30 persons / min
	in the free passage mode	60 persons / min
Mean time to failure	4,000,000 passages	

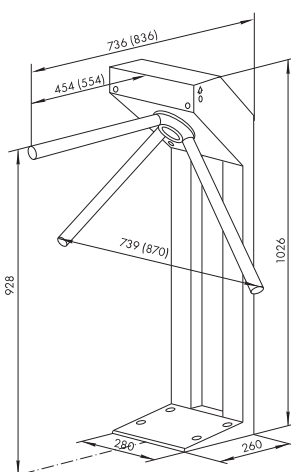
## Connection

T-5 turnstile is equipped with integrated CLB electronic board.  
The connection procedure is stated in the "TTR-04.1 Tripod turnstile" section.

### Note

Turnstile does not provide connection of remote indicators (Light A, Light B relay contacts).

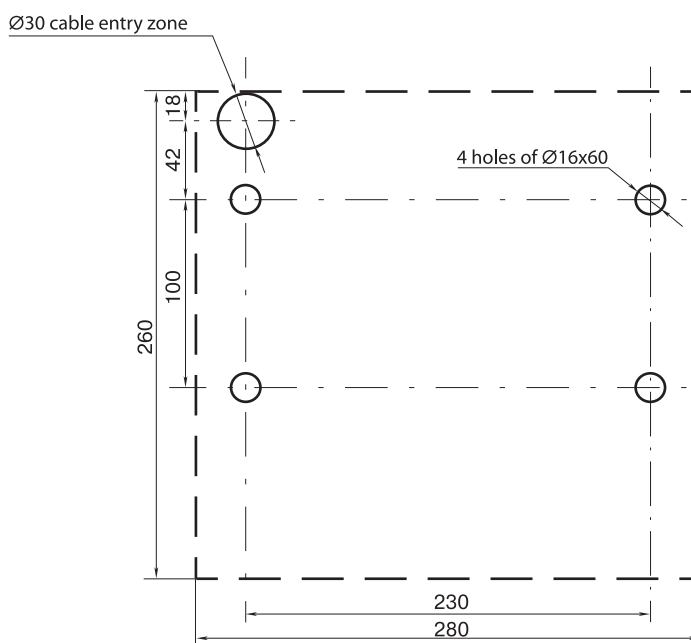
## Overall dimensions



Overall dimensions

## Mounting

Foundation requirements: concrete (grade 400 or higher), stone or similar foundations of at least 150 mm thick. For the installation on a less steady foundation it is recommended to apply reinforcing elements (300×300×300 mm).

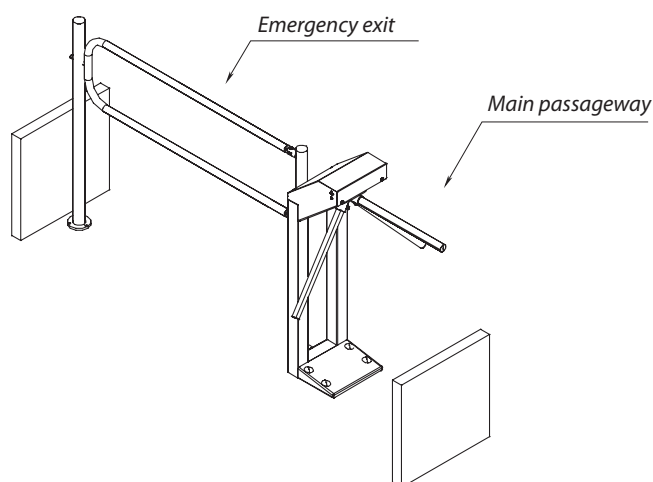


Hole marking for housing mounting and cable entry zone

## T-5 Tripod turnstile

### Passage zone modeling

When the turnstile is operated from ACS, it is recommended to place card readers in the turnstile housing or on the railings that form the passage zone. BH01 0-03 bracket is used for mounting readers on the BH02 series railings.



Example of an entrance zone project

### Warranty

The warranty period is 5 (five) years commencing from the date of sale, unless otherwise determined in the delivery contract of the Product. In case of sale and installation of the equipment by authorized PERCo dealers and service centers, the warranty starts from the date of commissioning.

Should there be no date of sale on the warranty card, the warranty period shall commence from the date of manufacture specified in the Certificate and on the Product label.